



Hornsby Local Environmental Plan 2013

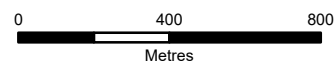
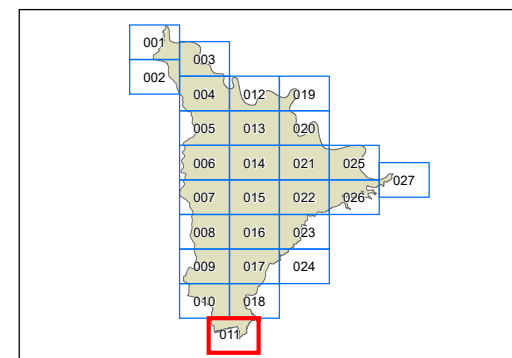
Lot Size Map - Sheet LSZ_011

Minimum Lot Size (sq m)

- I 500
- M 600
- U 1000
- X 5000
- Z 20000 (2ha)
- AA 50000 (5ha)
- AB1 100000 (10ha)
- AB2 400000 (40ha)

Cadastral

Cadastral 18/10/2022 © Hornsby Shire Council



Projection: GDA 1994
MGA Zone 56

Scale: 1:20,000 @ A3

Map Identification Number: 4000_COM_LSZ_011_020_20221020

